

## care instructions

### Winsor & Newton easels are hand crafted from FSC Seasoned Beechwood, twice coated with premium varnish.

Taking good care of your Winsor & Newton easel is essential to ensure a lifetime of use. These simple tips will ensure the longevity of your Winsor & Newton easel.

- The wood on your easel has been carefully dried, retaining just enough moisture for your easel to acclimatise to the relative humidity.

- Due to its natural composition, parts of your easel may expand or contract depending on the levels of humidity in your home or studio. This will not affect your easel's quality or strength.
- Avoid placing your easel directly in front of heaters or fireplaces.
- Avoid exposing your easel to continuous sunlight.
- Remove abrasive particles from the surface of your easel by dusting with a lightly moistened cloth.



By Appointment to  
HRH The Prince of Wales  
Manufacturers of Artists' Materials  
Winsor & Newton  
London



By Appointment to  
HRH The Prince of Wales  
Manufacturers of Artists' Materials  
Winsor & Newton  
London

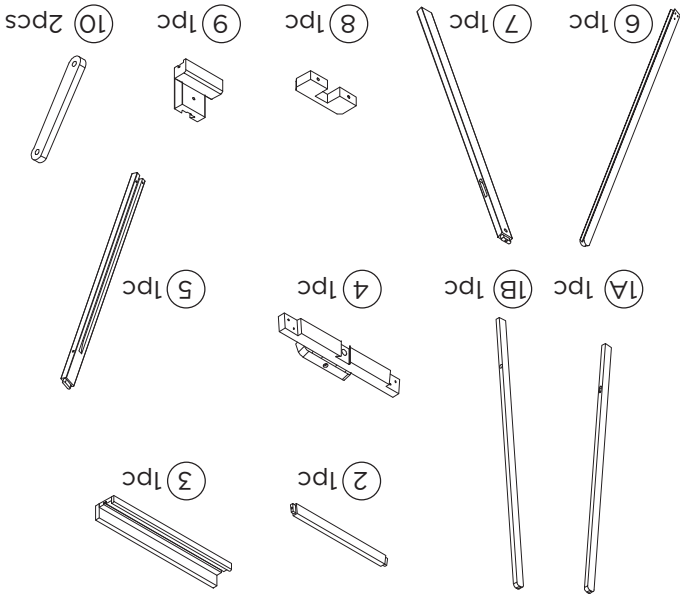
## mersey easel

- Perfect for Home & Studio use
- Handcrafted from FSC Seasoned Beechwood
- Twice coated with premium varnish for a smooth finish
- Brass coated fittings
- Sturdy & robust A-frame design
- Lightweight and easy to carry
- Metal ratchet allows height adjustment as you work
- Folds flat for storage
- Holds canvas up to 126cm
- Dimensions: 54 x 82 x 159 to 224cm
- Weight: 5.5 kgs

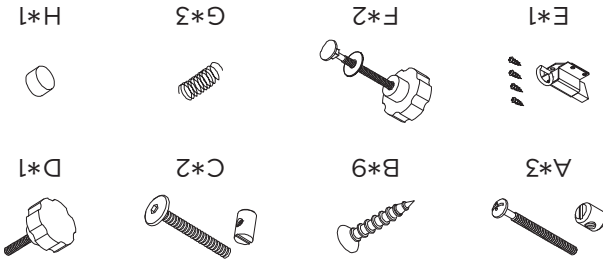


EDP-0017220

### Components



### Hardware



### parts included



By Appointment to  
HRH The Prince of Wales  
Manufacturers of Artists' Materials  
Winsor & Newton  
London

## guarantee

**This product has been subjected to strict quality control during manufacturing.**

In the event of a defect, please contact the store from which you purchased your easel.

Guarantee valid within 12 months of purchase.

This guarantee does not cover damages caused by incorrect use.



# assembly instructions

