

## Care instructions

**Winsor & Newton easels are hand crafted from FSC Seasoned Beechwood, twice coated with premium varnish.**

- Taking good care of your Winsor & Newton easel is essential to ensure a lifetime of use. These simple tips will ensure the longevity of your Winsor & Newton easel.
- The wood on your easel has been carefully dried, retaining just enough moisture for your easel to acclimatise to the relative humidity.
- Due to its natural composition, parts of your easel may expand or contract depending on the levels of humidity in your home or studio. This will not affect your easel's quality or strength.
- Avoid placing your easel directly in front of heaters or fireplaces.
- Avoid exposing your easel to continuous sunlight.
- Remove abrasive particles from the surface of your easel by dusting with a lightly moistened cloth.

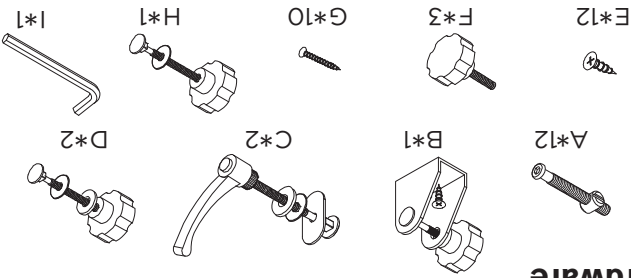
## care instructions

**Winsor & Newton easels are hand crafted from FSC Seasoned Beechwood, twice coated with premium varnish.**

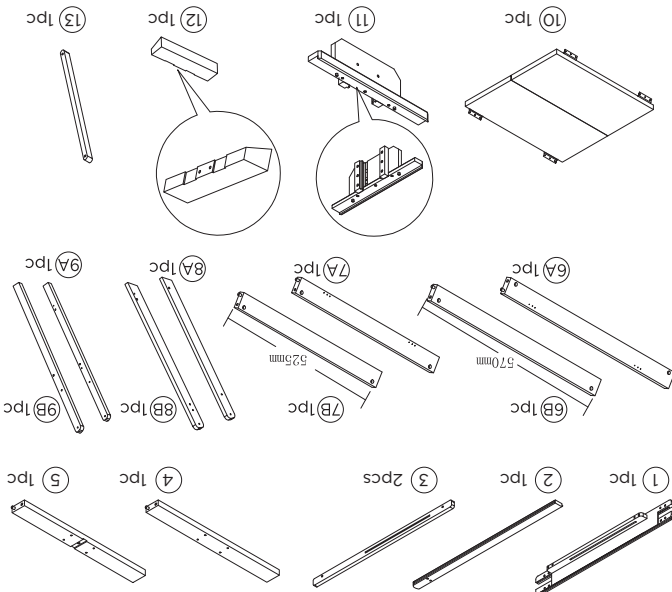
- Taking good care of your Winsor & Newton easel is essential to ensure a lifetime of use. These simple tips will ensure the longevity of your Winsor & Newton easel.
- The wood on your easel has been carefully dried, retaining just enough moisture for your easel to acclimatise to the relative humidity.
- Due to its natural composition, parts of your easel may expand or contract depending on the levels of humidity in your home or studio. This will not affect your easel's quality or strength.
- Avoid placing your easel directly in front of heaters or fireplaces.
- Avoid exposing your easel to continuous sunlight.
- Remove abrasive particles from the surface of your easel by dusting with a lightly moistened cloth.

## parts included

### Hardware



### Components



## hamilton easel

- Designed for Water Colour, Pastel or Oil painting
- Handcrafted from FSC Seasoned Beechwood
- Twice coated with premium varnish for a smooth finish
- Brass coated fittings
- Forward tilt for glare reduction or pastel work
- Backward tilt to form a table for water colour or to apply gesso/varnish
- Fully adjustable painting tray & retractable mast
- Handy storage shelf
- Folds flat for easy storage
- Holds canvas up to 155cm
- Dimensions: 61 x 65.5 x 137 to 174cm
- Weight: 10.6 kgs



## guarantee

**This product has been subjected to strict quality control during manufacturing.**

In the event of a defect, please contact the store from which you purchased your easel.

Guarantee valid within 12 months of purchase.

This guarantee does not cover damages caused by incorrect use.



# assembly instructions

