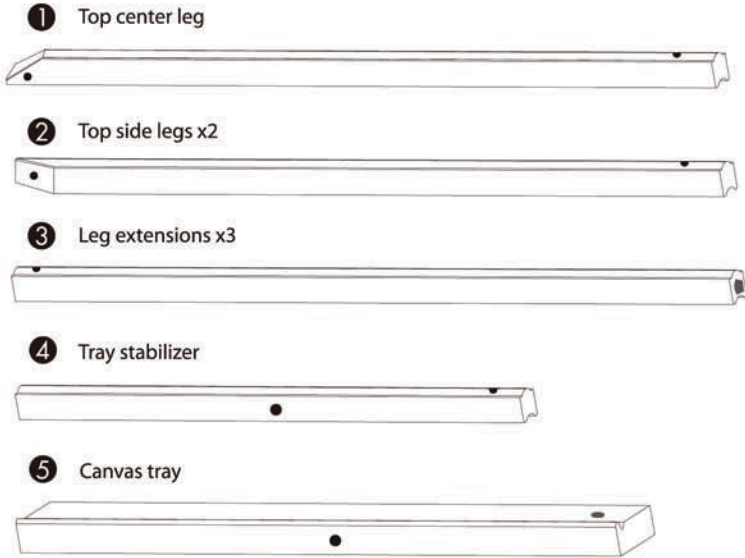
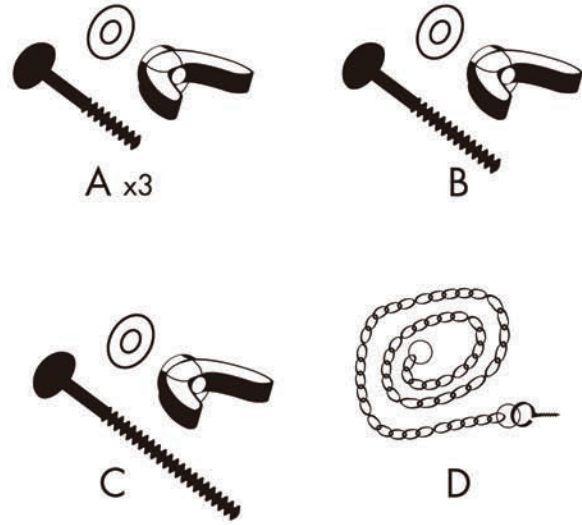


# Assembling Instructions For 0039010

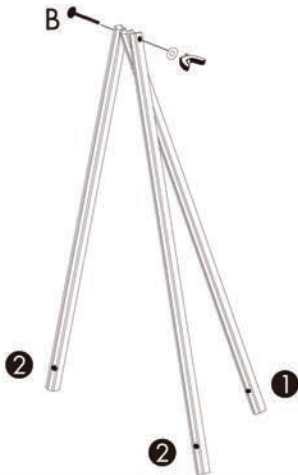
## PARTS



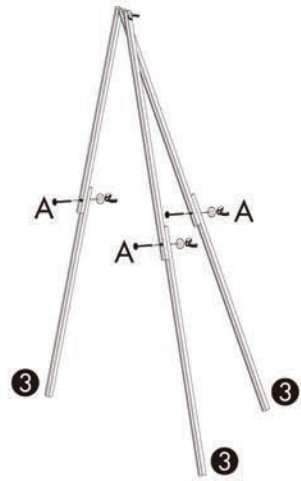
## HARDWARE



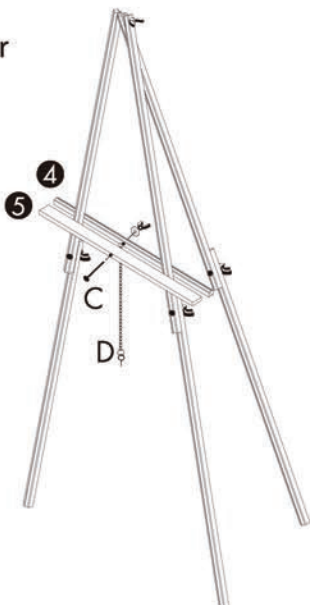
### STEP 1 Join the legs of the top



### STEP 2 Attach the leg extensions

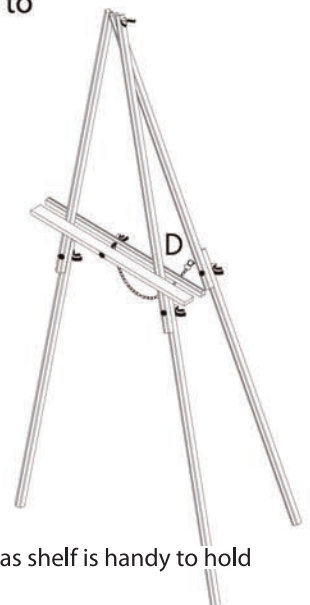


### STEP 3 Attach tray, chain and tray stabilizer



Insert bolt C into Part 5, then through one end loop of chain D, followed by Part 4. Secure with washer and wingnut.

### STEP 4 Secure chain to center leg with small eyelet screw



There is no pilot hole for this screw. Screw will be easy to attach within wood.

TIP: Additional hole in canvas shelf is handy to hold your brush.